

**halliday
baillie**

HB 1490

SLIDING DOOR SET SERIES

The HB1490 Series has been designed for large cavity sliders where function and scale are required. Each set comes complete with the new Halliday + Baillie 310mm long flush pulls which have been developed primarily for oversized sliding and hinge doors. The Series includes privacy function and configurations as below.

Milled from solid brass and available in various configurations as below.

Backset : 55mm

Minimum door thickness : 45mm

Flush pulls : 310mm x 50mm x 15mm

Suitable for timber or aluminium doors

Please check with your local Halliday + Baillie representative as not all finishes are available in all regions.

Available in the following finishes :

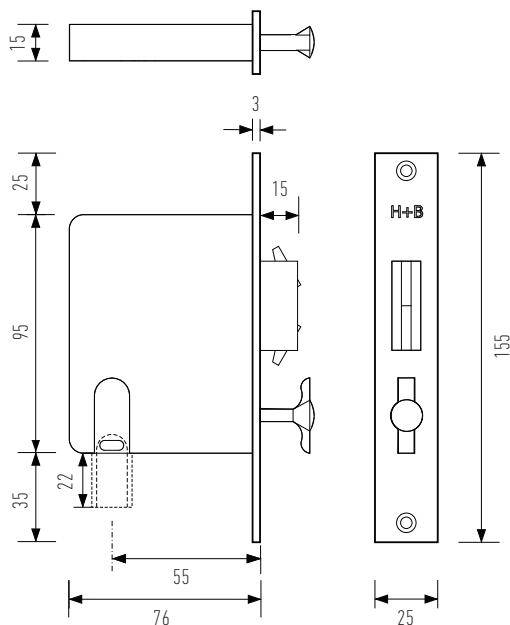
SC : Satin Chrome	HB 1490 – Privacy Set
BC : Brushed Chrome	HB 1492 – Snib In, Blank Out
PC : Polished Chrome	HB 1493 – Snib In, No Pull Out
BN : Brushed Nickel	HB 1494 – Snib Both Sides
PN : Polished Nickel	
DB : Dark Bronze	
KC : Black Chrome (by special order)	
PB : Polished Brass (by special order)	

Standard HB 1490 set includes:

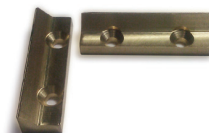
- HB 690 Series Lock Body
- 2 Flush Pulls and Timber Fixing Kits
- Strike and Dust Box
- Spindle (please specify door thickness)
- Fasteners



Lock body :



Designed and made in New Zealand. For more information, installation templates, and measured drawings of this product and others please visit : www.hallidaybaillie.com or contact your authorized Halliday + Baillie dealer. All information subject to change. © 2012 Halliday + Baillie Ltd.



To be used with HB1410 Timber Fixing Kit on timber doors



dustbox and strike plate